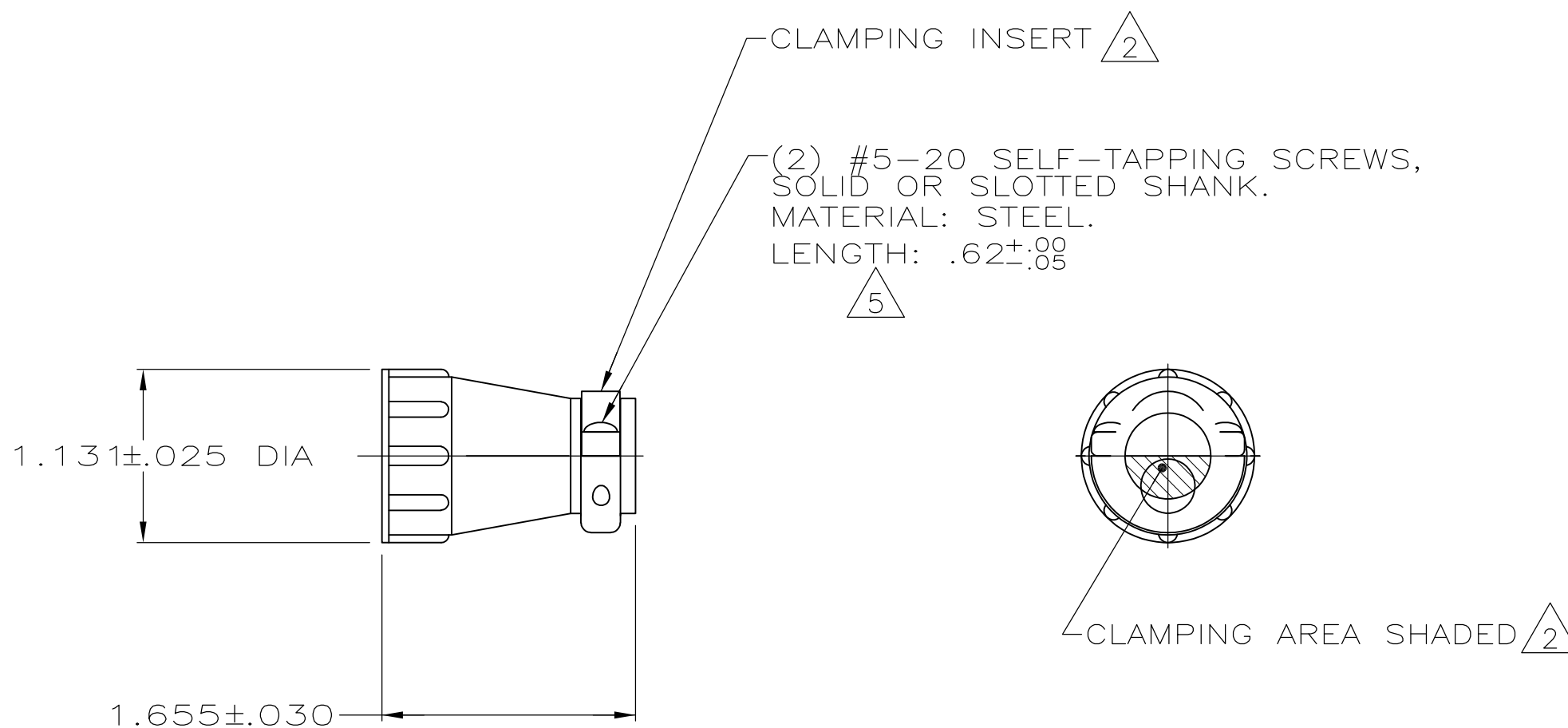


THIS DRAWING IS UNPUBLISHED. RELEASED FOR PUBLICATION  
 © COPYRIGHT BY TYCO ELECTRONICS CORPORATION. ALL INTERNATIONAL RIGHTS RESERVED.

LOC	DIST	REVISIONS					
BD	0	P	LTR	DESCRIPTION	DATE	DWN	APVD
		L		REVISED PER ECO-08-029128	22NOV08	HMR	MS



- 1 PARTS PACKAGED UNASSEMBLED.
- $\triangle 2$  CABLE CLAMPING AREA ADJUSTABLE FROM .100 TO .410 SQ IN BY REVERSING CLAMPING INSERTS.
- 3 .703 MAXIMUM CABLE OUTSIDE DIAMETER.
- $\triangle 4$  BULK PACKAGED KITS TO BE ORDERED IN MULTIPLES OF 100 ONLY.
- $\triangle 5$  FINISH: ZINC NON-HEXAVALENT CHROMATE.

$\triangle 5$	$\triangle 4$	BULK	207008-6
$\triangle 5$		INDIVIDUAL	207008-5
$\triangle 5$	$\triangle 4$	BULK	207008-2
$\triangle 5$		INDIVIDUAL	207008-1
		PACKAGING	PART NUMBER

THIS DRAWING IS A CONTROLLED DOCUMENT.		DWN	4/23/91		Tyco Electronics Corporation Harrisburg, PA 17105-3608		
DIMENSIONS: INCHES		CHK	7-23-92				
		TOLERANCES UNLESS OTHERWISE SPECIFIED:		CABLE CLAMP KIT, LARGE, SHELL SIZE 13, CPC			
0 PLC $\pm -$ 1 PLC $\pm -$ 2 PLC $\pm -$ 3 PLC $\pm -$ 4 PLC $\pm -$ ANGLES $\pm -$		PRODUCT SPEC		108-10024			
MATERIAL		FINISH		APPLICATION SPEC		RESTRICTED TO	
THERMOPLASTIC		-		-		-	
CUSTOMER DRAWING				WEIGHT	-		SCALE
				A3 00779		C-207008	
				1:1		SHEET 1 OF 1	
				REV		L	